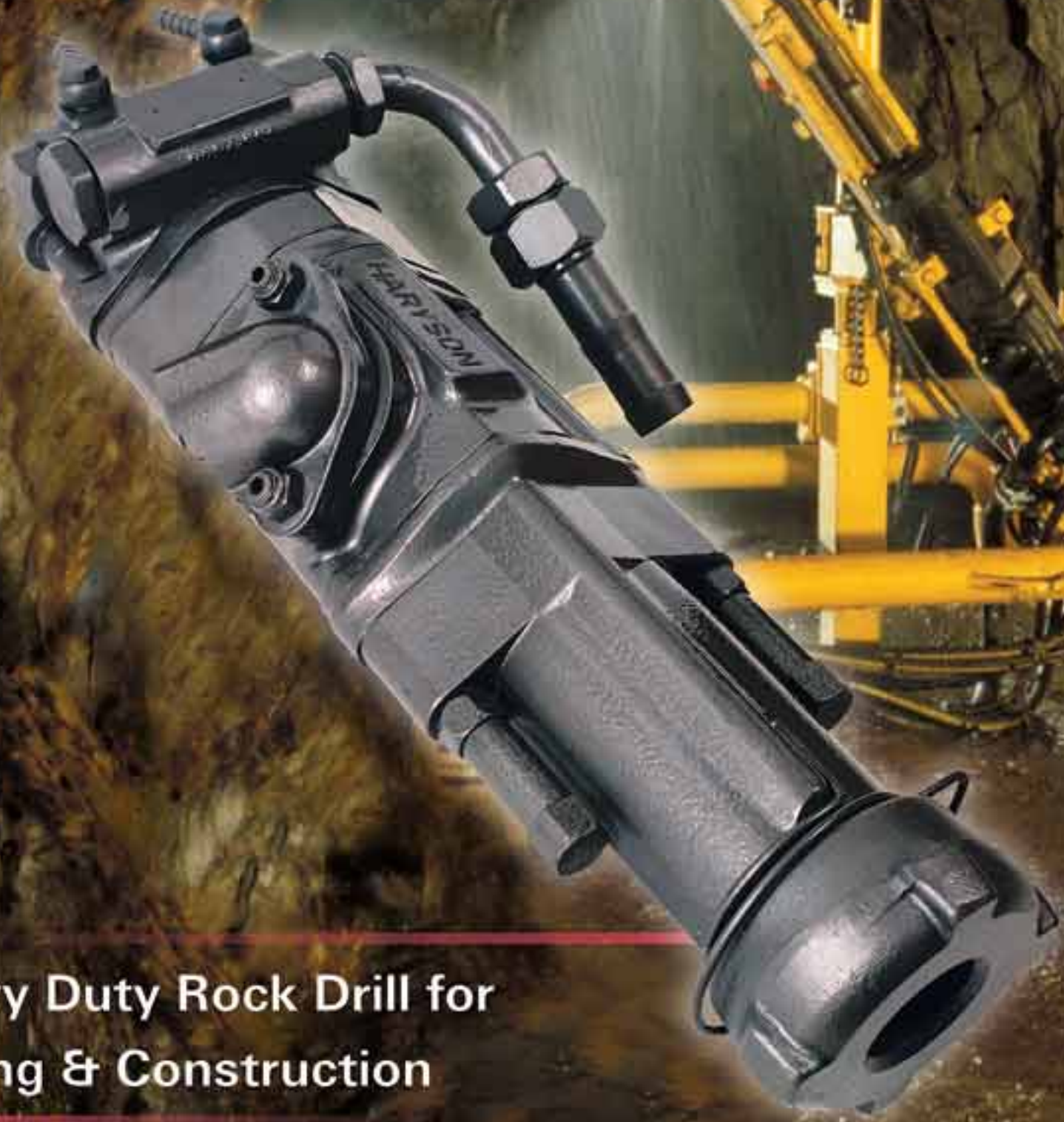


# BULL DRIFTER



Heavy Duty Rock Drill for  
Mining & Construction



**HARYSON**

## GENERAL

Bull Drifter is a powerful & robust pneumatic top-hammer ideally suited for mechanized drilling applications such as Bench drilling, Grout-hole drilling, Long-hole production drilling, Ditching or Trenching work. Used with drill rigs or wagon drills, the Bull Drifter is capable of drilling holes between 48mm to 89mm (1.89" to 3.50") with the use of 38mm (1½") extension Drill steel equipment.

The Bull Drifter is used for above the ground applications as well as underground applications where water flushing is used. The drill features a large piston with simple rifle bar rotation which is reversible and can also be disengaged so that only the impact mechanism operates. All mechanisms, i.e rotation, impact & flushing can be remote controlled from a convenient panel.

## FEATURES

- 120mm Piston - delivering a very powerful impact of over 7kW
- Reversible Rotation - Rifle bar based rotation mechanism that is reversible & can also be disengaged
- Separate Connections - for drilling, rotation reversal and flushing
- Threaded retainer - with lock spring to keep chuck securely in place
- High Performance & Low Maintenance with easily replaceable wear parts



## APPLICATIONS



Underground exploratory work, drifting and production drilling.



Mechanized long-hole drilling in mines and for sublevel stopping/caving.



Tunnelling



Surface mining, quarrying, benching and drilling grout holes.

## TECHNICAL SPECIFICATIONS

### Detailed Specifications

Weight	Length	*Air Req.	Piston Stroke	Piston Diameter	Impact Rate	Impact Power	Rpm range	Chuck for Drill Steel
Kg (Lbs)	Mm (Inch)	M <sup>3</sup> /min (cfm)	Mm (Inch)	Mm (Inch)	Hz (bpm)	kW		Mm (Inch)
70 (154)	780 (30.70)	10 (350)	65 (2.50)	120 (4.70)	35 2100	7.2	0-180	38.1 (1.50)

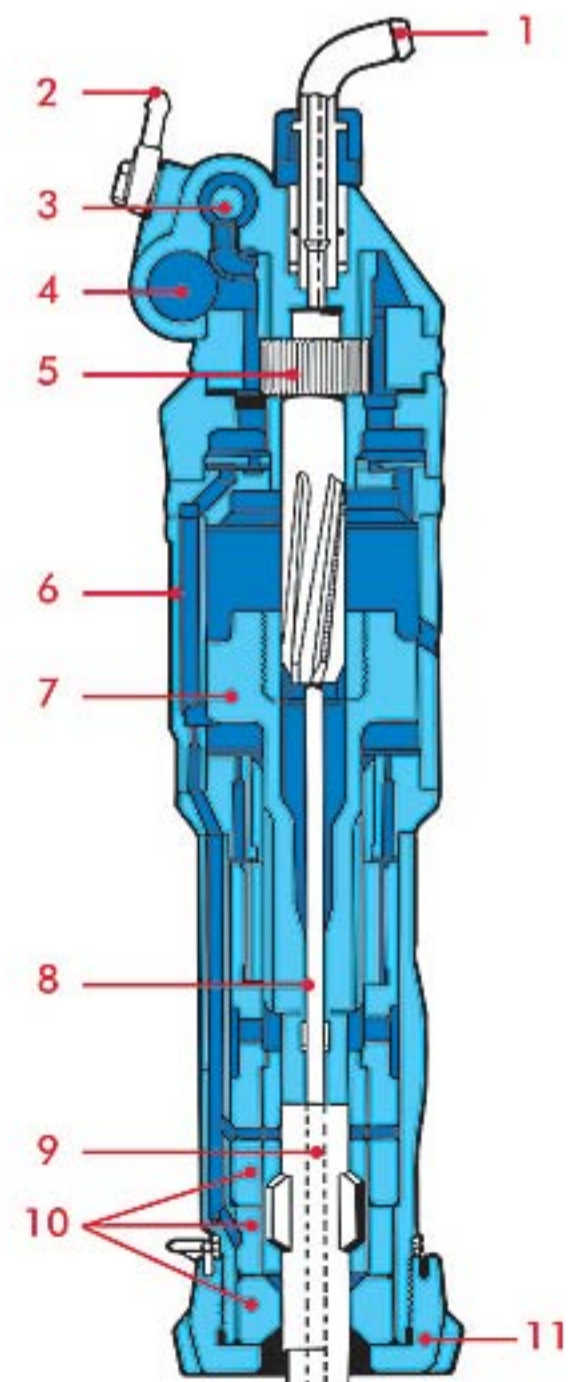
\*Air Requirement at 6 Bar or 87 PSI

### Air Connection Specifications

Impact Mechanism		Flushing		Rotation Reversal	
Mm	Inch	Mm	Inch	Mm	Inch
38	1.50	19	0.75	10	0.39

## CONSTRUCTION FEATURES

- 1 Water Flushing connection
- 2 Rotation reversal compressed air connections (2 nos)
- 3 Rotation reversal / Disengagement mechanism
- 4 Compressed air Connection for Impact mechanism
- 5 Rifle bar for rotation mechanism
- 6 Cylinder body
- 7 Piston along with rifle nut
- 8 Flushing Tube
- 9 Shank Adaptor
- 10 Sealed Chuck for leyner shank with three individually replaceable parts
- 11 Threaded Retainer with Lock spring



## ABOUT HARYSON

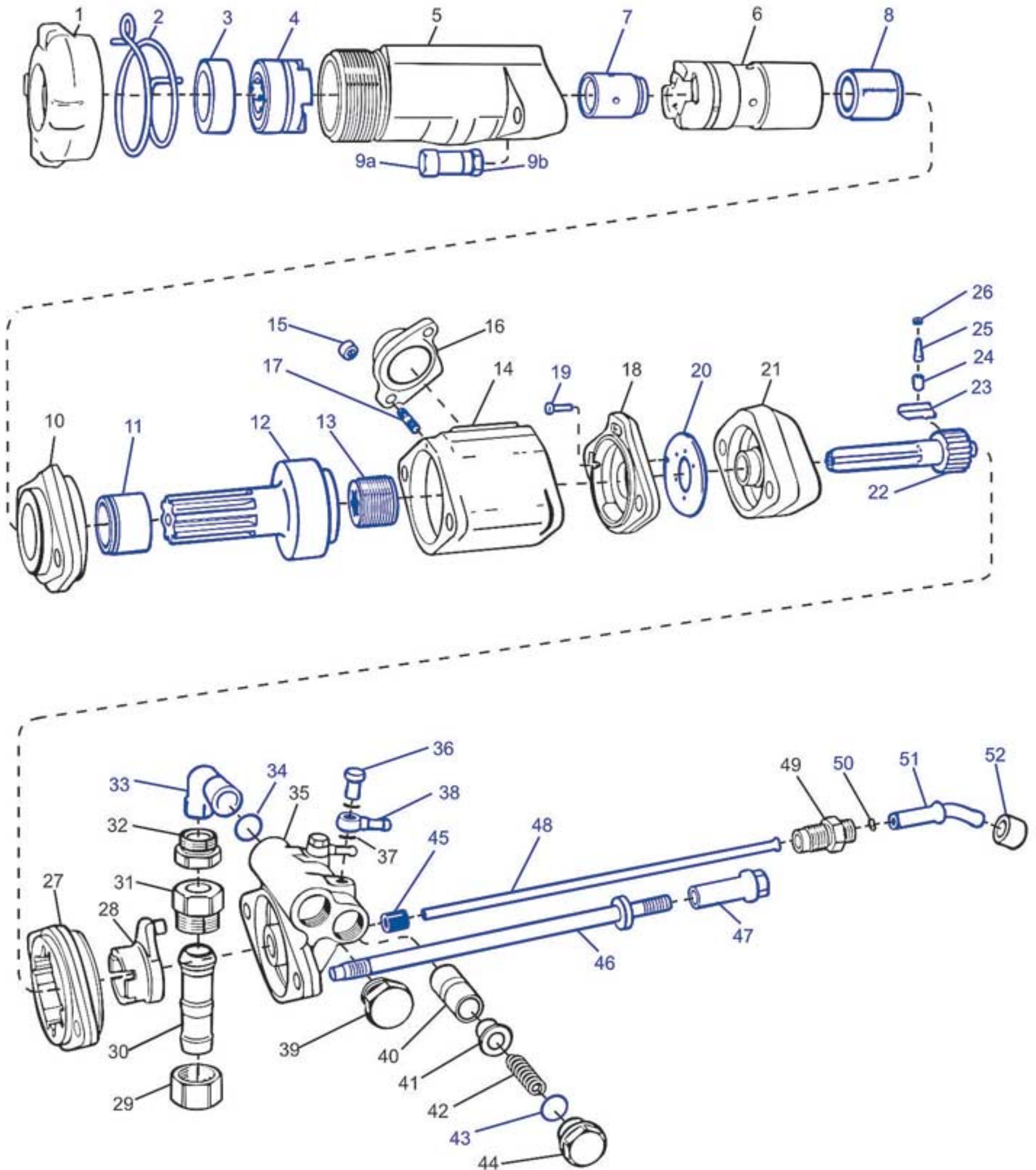
Established since 1970, Haryson Engineering Co. is a leading manufacturer of high quality pneumatic rock drills, drifters and equipment for the mining and construction industry.

With over 35 years experience in the production of rock drills, we understand the conditions under which rock drills work and the productivity required from them. Each Haryson rock drill & Drifter is therefore manufactured from only the top grade raw material, using the latest CNC machinery and employing advanced manufacturing techniques with a focus on quality. As a result each rock drill and all its parts are machined to a very fine degree of accuracy with extremely close tolerances meeting the highest quality standards. Thus ensuring that you as our customer get a rock drill which gives you the highest performance, dependability and best economy.



**Bull Drifter Spares**



**SPARE PARTS DIAGRAM**

Colour indicates wear parts which should always be kept in stock

## SPARE PARTS LIST

Sr. No.	Ref No.	Description	Qty.	Sr. No.	Ref No.	Description	Qty.
1	001-0230	Cover	1	24	024-0083	Pawl Pin	8
2	002-0993	Lock Spring	1	25	025-0085	Pawl Spring	8
3	003-0215	Rotation Chuck (Stop Ring)	1	26	026-0525	Damper	8
4	004-0216	Rotation Chuck	1	27	027-0377	Ratchet Box	1
5	005-0231	Front Head	1	28	028-0378	Pawl Lifting Ring	1
-	006-0328-80	Rotation Chuck Complete	1	29	029-0335	Coupling Nut	1
6	006-0328	Rotation Chuck	1	30	030-0177	Hose Nipple	1
7	007-0218	Rotation Chuck Bushing	1	31	031-0485	Adapter	1
8	008-0329	Guide Nut	1	32	032-9922	Adapter	1
9a	009-0071	Nut Bottom-Side Bolt	2	33	033-0070	Inlet Nipple	1
9b	009-0072	Nut Bottom-Side Bolt	2	34	034-2132	O Ring	2
-	010-0819-80	Intermediate Part Complete	-	35	035-0093	Back Head	1
10	010-0819	Intermediate Part	1	36	036-0820	Pressure Screw	2
11	011-0235	Bushing	1	37	037-1101	Brass Seal Washer	4
-	012-0307-80	Piston Complete	-	38	038-0229	Banjo Connection	2
12	012-0307	Piston	1	39	039-0069	Plug	1
13	013-0308	Rifle Nut	1	40	040-0095	Operating Piston	1
-	014-0524-80	Cylinder Complete	-	41	041-0096	Spring Guide	2
14	014-0524	Cylinder	1	42	042-0097	Pressure Spring	2
15	015-1114	Nylock Nut	2	43	043-2132	O Ring	2
16	016-0122	Exhaust Guard	1	44	044-0098	Plug	2
17	017-0468	Stud	2	45	045-0477	Gasket	1
-	018-0087-80	Cover Complete	-	46	046-0070	Side Bolt	2
18	018-0087	Cover	1	47	047-0224	Nut Top-Side Bolt	2
19	019-0088	Guide Pin	1	48	048-0376	Water Flushing Tube	1
20	020-0333	Main Valve	1	49	049-0821	Adapter	1
21	021-0090	Rifle Bar Bearing	1	50	050-2124	O Ring	1
22	022-0369	Rifle Bar	1	51	051-0822	Hose Nipple	1
23	023-0370	Pawl	8	52	052-0823	Coupling Nut	1