



FOX  DRILL



HARYSON ENGINEERING CO.

About Us

Haryson Engineering Co. is India's leading manufacturer of high quality rock drills and replacement parts for the construction, mining and dimension stone industries.

Established in 1967, Haryson has a long experience and a deep understanding of the manufacture of rock drills and spare parts. With top quality steel used in production, latest manufacturing facilities and a highly skilled team, Haryson strives to provide its customers with products that exceed their expectations.

No wonder that Haryson drills have an excellent reputation for their high performance, superior dependability and best economy in operation.

Fox Drill



Fox Drill is a light-weight but powerful rock drill ideally suited for smaller jobs or drilling in hard to reach places.

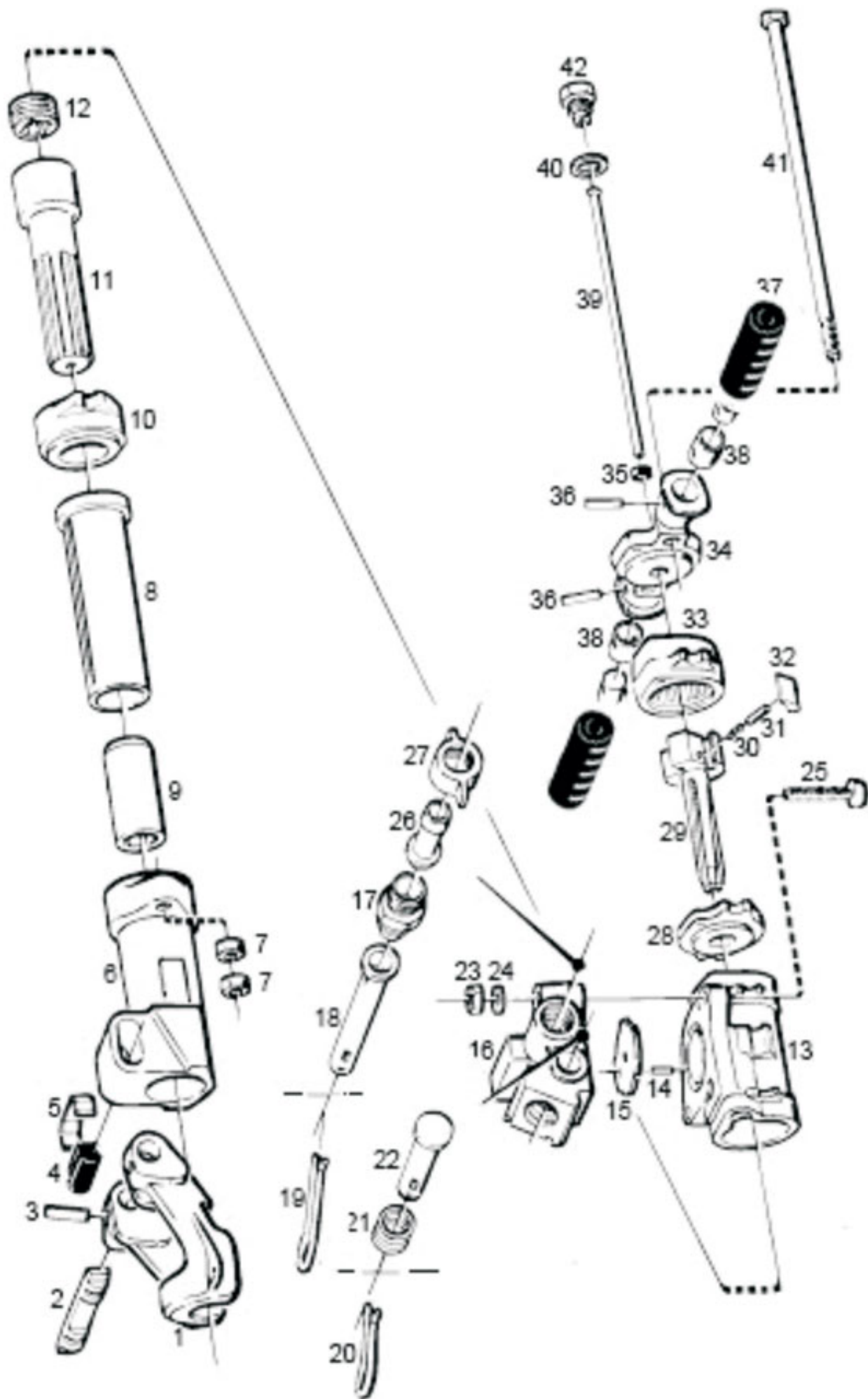
Weighing almost 20 kg, the Fox Drill is air flushed, easy to operate and features an ergonomic handle for a solid and comfortable grip.

The drill is capable of drilling 27mm to 40mm holes upto depths of 4 metres and can be used in applications such as bench drilling, secondary rock blasting and drilling for smooth blasting.

Specifications

Weight	19 kg	42 lb
Length	510 mm	20 inch
Air req. at 6 bar (87 PSI)	2.3 m ³ /min	82 cfm
Drill steel (hex)	22 x 108 mm	7/8 x 4 1/4 inch
Piston stroke	60 mm	2.4 inch
Impact rate	2100 blow / min	
Rotation	190 rpm	
Hose connection	19 mm	3/4 inch

Spare part diagram



Spare part list

No.	Description	Reference Code	Qty
1	Retainer	3121 0851 00	1
2	Retainer Pin	3121 0852 00	1
3	Tension Pin	0108 3392 00	2
4	Rubber Buffer	3121 0030 00	1
5	Buffer Plate	3121 0029 00	1
6	Front Head	3111 0141 00	1
7	Nut	0266 1208 00	4
8	Rotation Chuck	3111 0185 00	1
9	Bushing	3111 0186 00	1
10	Intermediate Part	3111 0143 00	1
11	Piston	3111 0162 00	1
12	Rifle Nut	3100 9299 08	1
13	Cylinder	3106 0825 00	1
14	Spring Pin	0108 1238	1
15	Main Valve	3101 1586 01	1
16	Throttle Housing	3115 1163 00	1
17	Hexagon Nipple	9000 0345 00	1
18	Throttle Valve	3115 1190 00	1
19	Lever for Throttle valve	3115 1191 00	1
20	Lever for Exhaust valve	3101 3664 00	1
21	Coil Spring	3001 3957 01	1
22	Exhaust valve	3101 4988 00	1
23	Housing Nut	3000 1345 00	2
24	Lock Washer	0333 3139 00	2
25	Housing Bolt	3100 0194 06	2
26	Hose Nipple	3115 1543 00	1
27	Wing Nut	9000 0338 00	1
28	Cover	3106 0827 00	1
29	Rifle Bar	3111 0145 00	1
30	Pawl Spring	3100 9140 02	4
31	Pawl Pin	3100 9641 01	4
32	Pawl	3101 3159 00	4
33	Ratchet Ring	3115 1167 00	1
34	Back head	3115 1166 00	1
35	Rubber packing	3000 0121 00	1
36	Spring Pin	0108 1360 00	2
37	Handle Bolt and Grip Complete	3310 0569 99	2
38	Bush	3310 0572 00	2
39	Air Flushing Tube	3111 0140 00	1
40	Seal Washer	3100 9341 00	1
41	Side Bolt	3111 0144 00	2
42	Plug	3100 0120 00	1